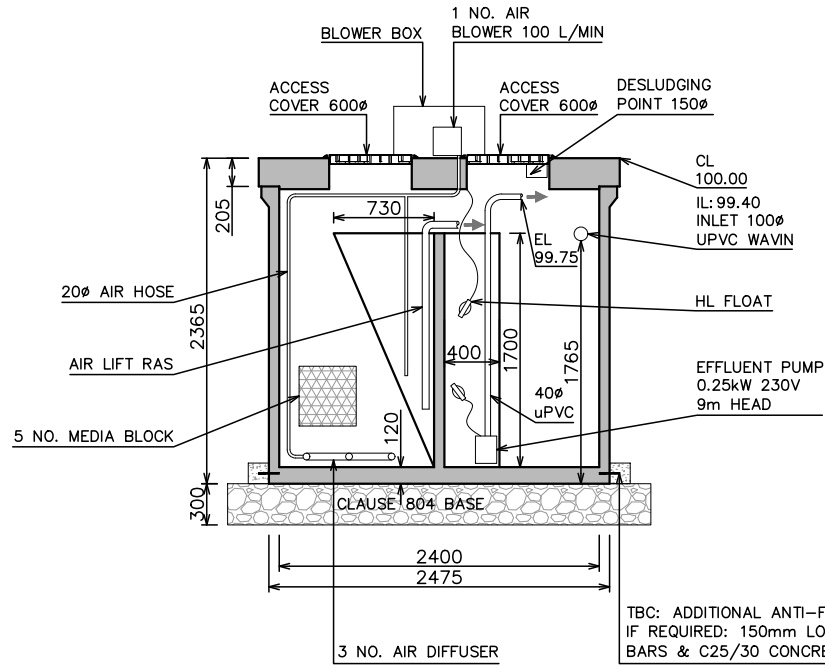
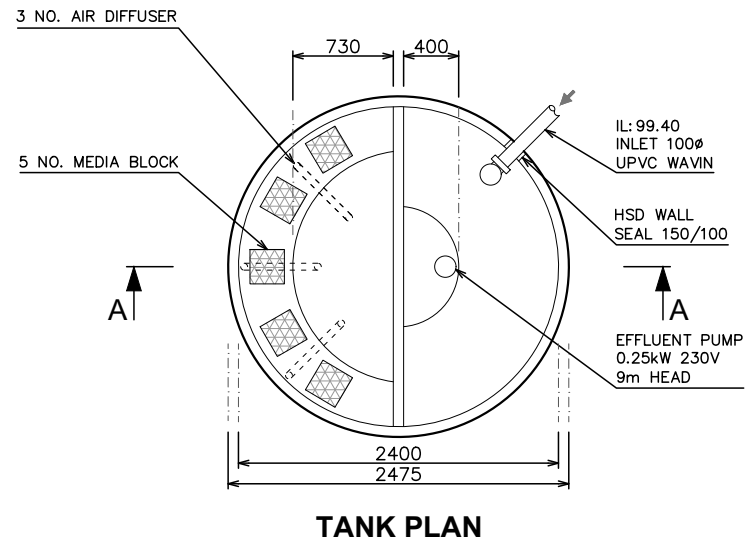
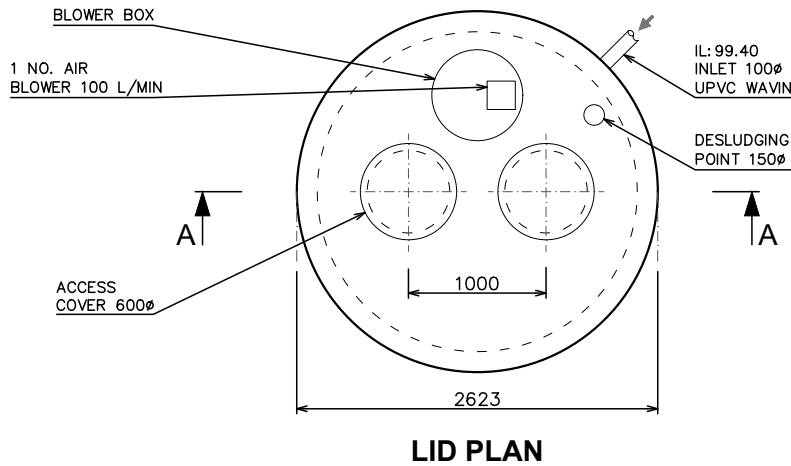


10PE	Working Volume [m3]	Surface Area [m2]	Tank Weight [t]	Lid Weight [t]
Primary	3.1	2.0	5.5	2.2
Aeration	2.7	1.4		
Clarifier	0.7	0.8		
Effluent Sump	0.4	0.3		
Max Load Bearing		10kN/m2 UDL or 1m overburden DL		



TBC: ADDITIONAL ANTI-FLOATATION SYSTEM
IF REQUIRED: 150mm LONG/12mmØ DOWEL
BARS & C25/30 CONCRETE BALLAST

SECTION A-A



Biocycle Ltd.
Main Office
Unit 107 Baldoyle Industrial Estate
Dublin 13, Ireland
Low Call: 1890 929 612
Tel: 01 8391000
Email: info@biocycle.ie

CLIENT:
BIOCYCLE

PROJECT:
SR 66
POPULATION
EQUIVALENT 10 PE

DRAWING TITLE:
PLANS AND SECTION

REV.	DATE	DESCRIPTION
SCALE:	NTS @ A4	DRAWING STATUS: DRAFT FOR DISCUSSION PURPOSES ONLY
DATE:	MARCH 2019	DRAWN BY: WALDEMAR DEBOWSKI
DRAWING NUMBER: 314-C10		REVISION: